

VECTOR T2 HANDLE



The heavy-duty Vector T2 Handle is designed to be used on flat sheet metal. The handle can be turned 180° left and right and has a 4 mm compression. You can use fixed or adjustable cams with a grip range of 17–52 mm, and all cams can be used for 2- or 3-point latching systems. Installation is swift with a mounting bracket.

Delivered with a keyed alike cylinder and stainless-steel dust shutter. Protection according to IP65. To adapt to other key combinations, choose delivery with unassembled cylinder.

Dust and water protected according to IP65.



MATERIAL

Adjustable cam: Zinc die cast, passivated

Assembly hardware: Steel, zinc plated

Body: Glass fibre reinforced polyamide (PA6GF30)

Cast-in bolts: Steel, zinc plated

Cylinder: Zinc die cast, stainless steel 304 cap and dust shutter

Fixed cam: Steel, zinc plated

Handle: Zinc die cast, chrome plated or black texture powder coated

Mounting bracket: Steel, zinc plated

Nut: Steel, zinc plated

Roller: Glass fibre reinforced polyamide (PA6GF30)

RELATED PRODUCTS

Similar products: 2-800, 2-810, 2-815, 2-811

Rods: 2-540, 2-541, 2-545

Rod guides: 2-560, 2-570

Rod adapters: 2-541

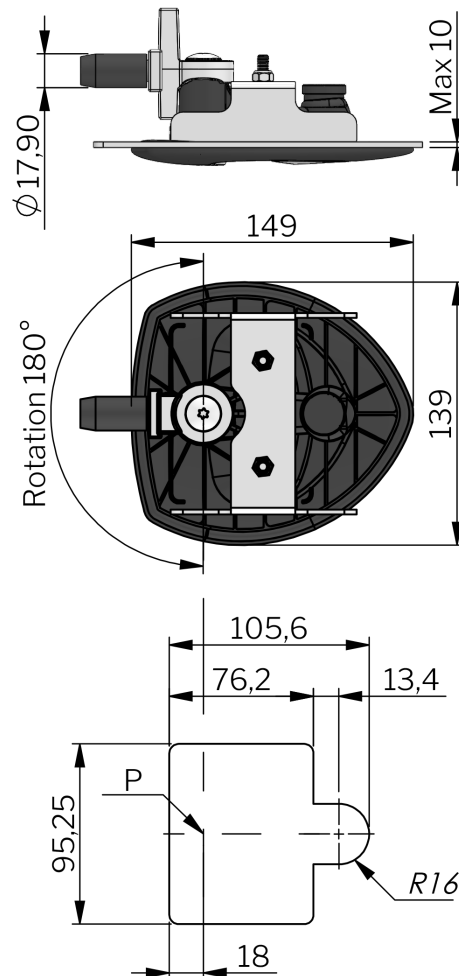
Use the Index Code at industrilas.com

TECHNICAL INFORMATION

The tightening torque of the two nuts for the bracket is 3 Nm.

Cylinder information: Cylinder with other key codes on request, Supplied with two keys

Standards: IP65, DIN EN 61373



Industrilas
— When access counts —

Make your selections in each column to create your article number (AAAA-BBBCC-DDDDD)

AAAA Type	BBB Handle material, finish	CC Cylinder	DDDDD Cam	H=	L= Drawing
2751 Vector 2	102 Zinc die cast, chrome plated	00 Non-locking	1861 Fixed one-point cam	18	61 C
	106 Zinc die cast, black powder coated	82 Keyed alike 21	2361 Fixed one-point cam	23	61 C
			4661 Fixed one-point cam	46	61 C
			4861 Fixed one-point cam	48	61 C
			5361 Fixed one-point cam	53	61 C
			S4600 Two-point cam	-	- D
			S Adjustable three-point cam	17-65	65 B
			S1 Adjustable one-point cam	17-52	65 A

Other cam dimensions on request.

